

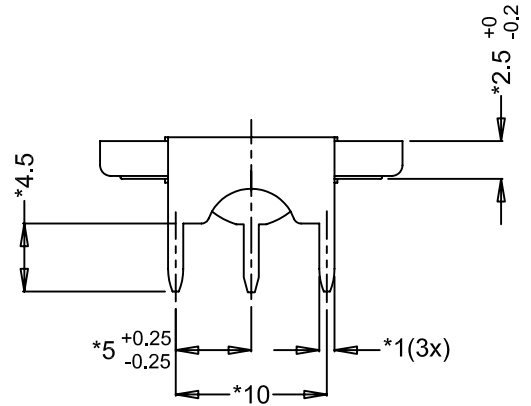
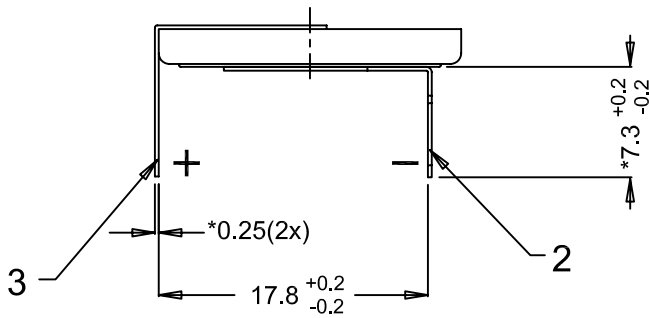
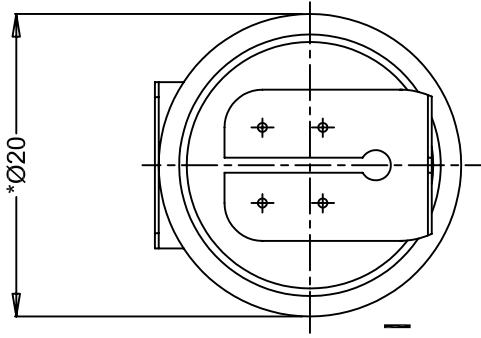
VARTA Microbattery

mobility for you

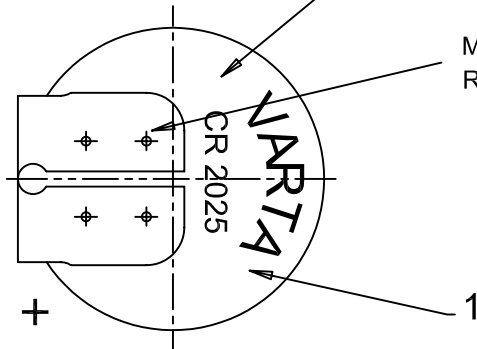
This is a controlled document.

Hardcopy to be endorsed by authorized person.

Check with Issuing Office or SAP system for latest update.



Ensure visibility of cell reference where possible.



Monthly & Production Reference Code (MMYR)

Note : *Dimensions for reference only.

Approx. wt : 3 g

No	AO No	Revisions	Date	Name
2	C079/06	Change tags	2006-09-19	Ratna
1	R109/05	To corrected the arrangement of weld point	2005-07-19	TitisWS
0	-	Refer to Crewkerne drawing 003268 Rev. 1	2005-06-14	Ida

Projection:		Material: Refer to part list no: 003268		Description: 3V CR 2025 PCB with solder tag		
Dimensions in mm		Prepared & Checked		Verified & Approved		Dwg. No: 003268
Tolerance: As specified		2000-07-01 Titis WS		VKB Order No: 06025 401 501		
Scale: 2 : 1						402

Rights reserved to make technical changes, as a result of further development, without notice. This drawing is the property of VARTA Microbattery and must not be copied or disclosed to a third party without the written consent of VARTA Microbattery.

